

minibems RS06 flush-mounted sensor



Minibems flush-mounted sensor for temperature measurement in indoor rooms.
The sensor is mounted into ceilings.

Features

Works seamlessly with Minibems controllers

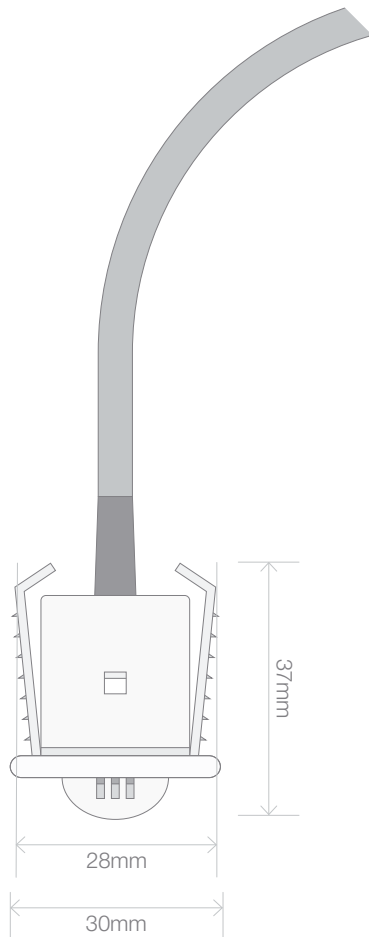
Temperature measuring range: -35 to 70°C

Discreet, with simple flush mounting



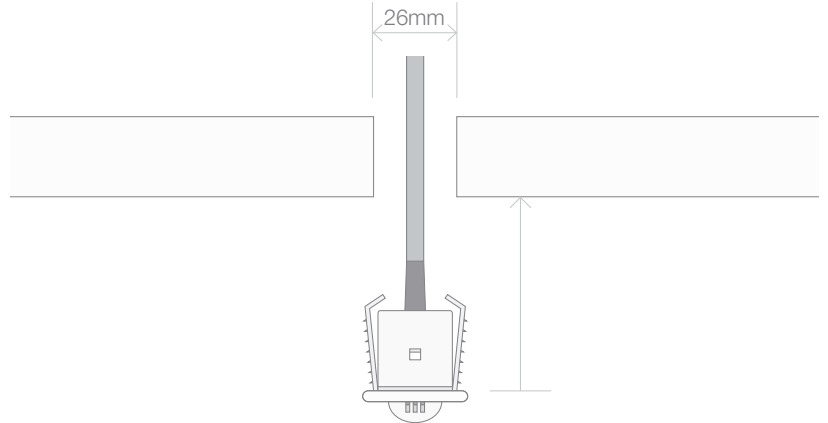
**For more information, please visit www.minibems.com
sales@minibems.com / 01202 122 520**

minibems RS06 flush-mounted sensor specifications & mounting



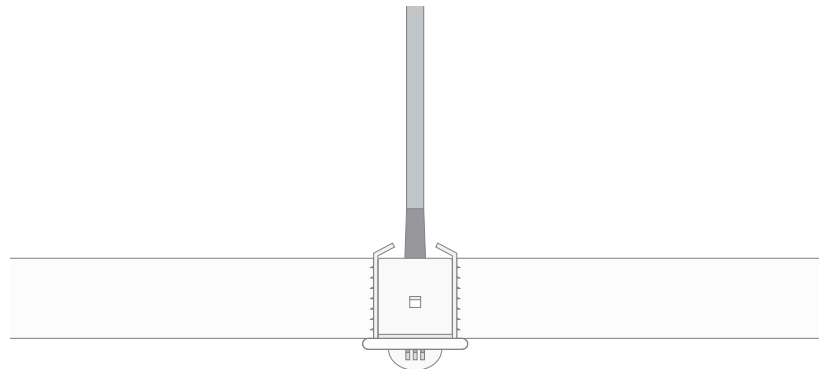
Flush mounting

Step 1 - make a circular hole in the ceiling of 26mm.



Step 2 - press the RS06 sensor into the circular hole.

Grippers will grab the sides of the hole, making a clean, flush mounting.



| | |
|-----------------------------|---|
| Dimensions | 30mm x 37mm x 30mm (w x h x d) |
| Temperature measuring range | -35 to 70°C |
| Passive output | PT100/PT1000 |
| Protection | IP30 |
| Mounting | Flush / facet mounting |
| Electrical connection | PVC connection wire, 1m cable length with diameter of 2.5mm |

For more information, please visit www.minibems.com
sales@minibems.com / 01202 122 520

