

minibems connect



Minibems Connect is designed to provide integrated real-time control, optimisation and management of market-leading heat interface units, cooling interface units and fan coil units.

The Connect has hardware and software configurable inputs and outputs which deliver unparalleled accuracy of control with a range of devices and appliances. Paired with the Minibems Touch, the Connect delivers high-performance comfort control and telemetry in residential heat networks.

Features

240V AC supply

240V AC unswitched mains output

Up to twelve configurable digital and analogue inputs and outputs

Molex multi-core connectors for wiring harness connections

4 x relay outputs configurable as volt-free, 240V AC, 24V DC, 24V AC (optional)

2 x room sensor inputs

M-Bus interface (8 unit load)

Modbus interface (optional)

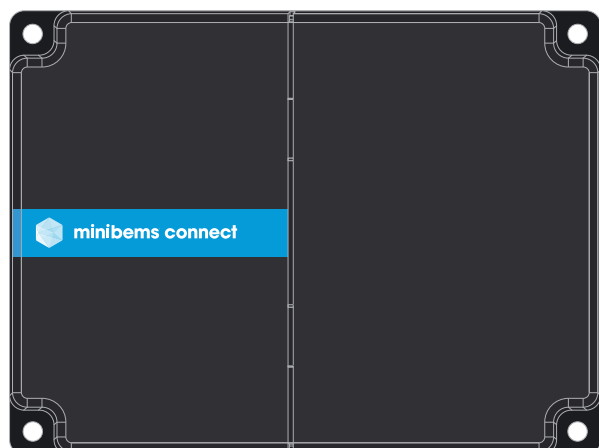
Din rail mounting (optional)

Real-time clock

Battery backup

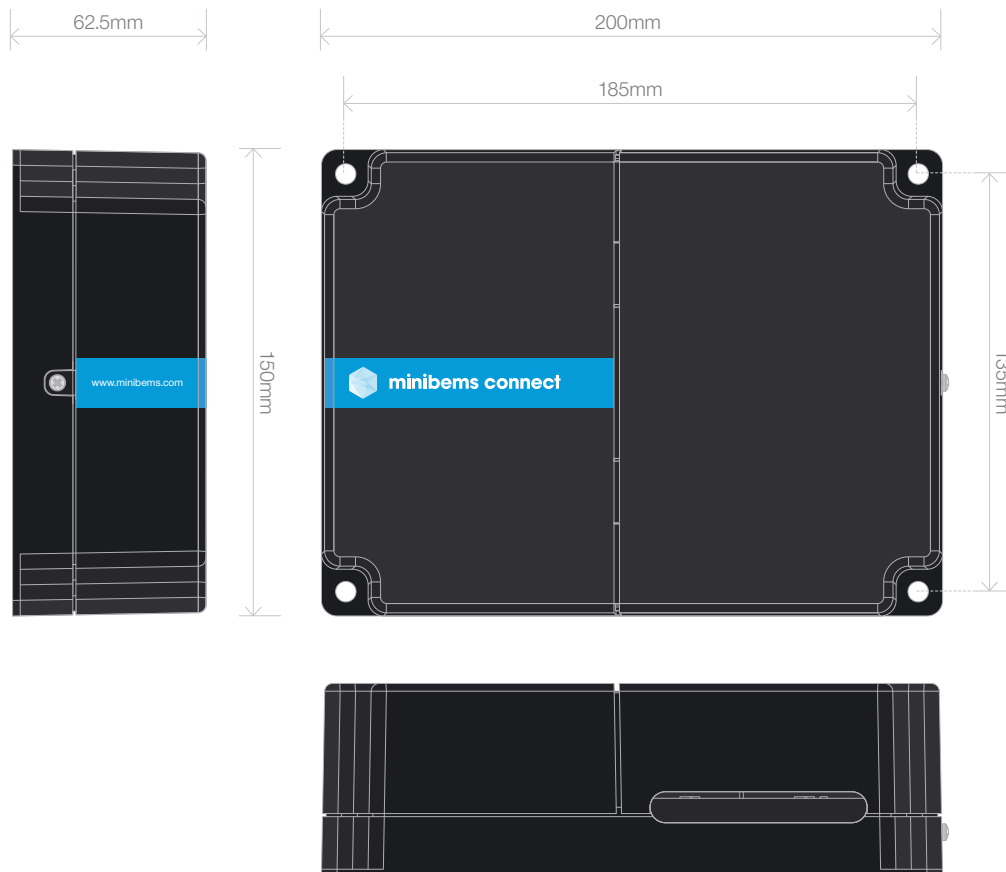
Hardware and software security

Remote firmware update



**For more information, please visit www.minibems.com
sales@minibems.com / 01202 122 520**

minibems connect specifications



Supply	240V AC supply (requires fused spur)
Power consumption	3W (typical)
Relay outputs	SPDT 24V DC @ 0.5A max SPDT 24V AC @ 10VA max SPDT 240V AC @ 5A resistive max SPDT volt free @ 5A max
Communications	Ethernet (100BaseT, full duplex)
Enclosure	Plastic
Approvals	CE & UKCA marks
Dimensions	200mm x 150mm x 62.5mm (w x h x d)
Operating environment	0 - 60°C
Designed operating lifetime	15 years
Security	SHA256, AES256, Elliptic Curve cryptography

minibems connect terminals & wiring

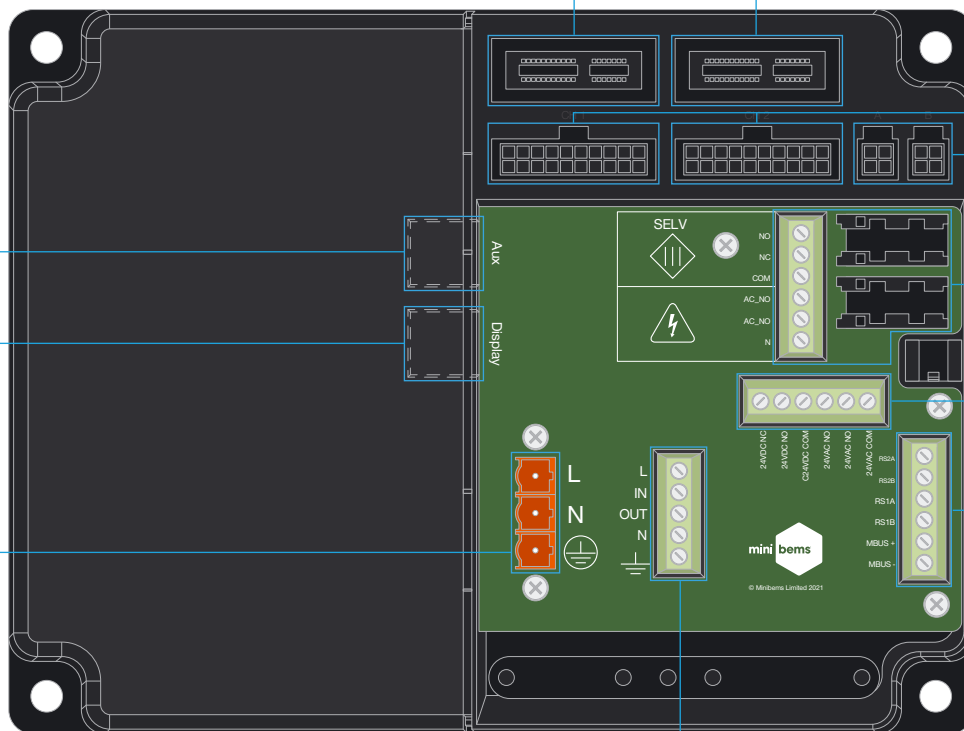
Auxiliary connection - RJ45

Network connection - RJ45

A & B connectors - additional Minibems Connect or IO capacity

Channel 1 & 2 – wiring harness connectors

IO cartridge connectors 1 & 2



240V mains outlet (live, neutral, earth)

240V mains supply connector

M-Bus

2x room sensor connectors

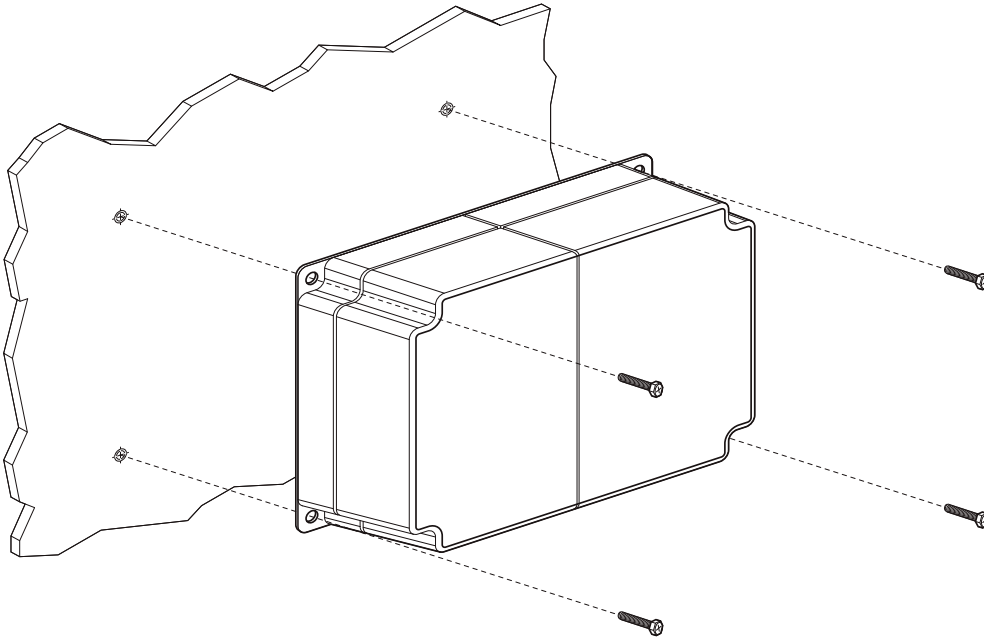
2x 24V relays (NO, NC, COM)

240V mains relay - wiring connectors (NO, NC, COM)

minibems connect mounting

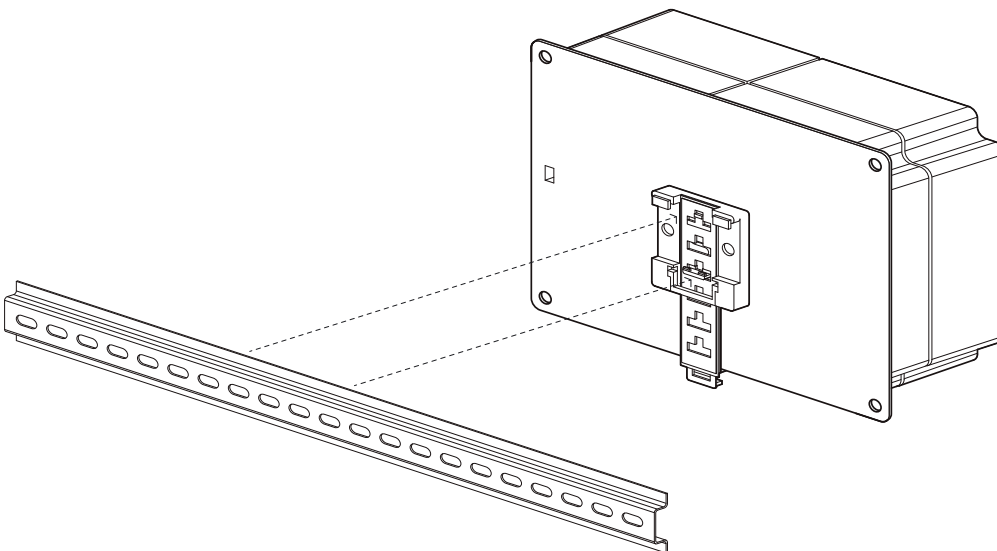
Surface mounting

Mounting holes are M6 clearance (6.6mm diameter).



DIN rail mounting

Firstly attach the DIN rail mounting clip to the underside of Minibems Connect. Then place the rail into the top part of the clip. Please note the two lugs at the top of the clip - the rail should fit below the lugs. The rail can then be clicked into the bottom spring mounted holder.



For more information, please visit www.minibems.com
sales@minibems.com / 01202 122 520