

minibems touch



Minibems Touch is designed as a component of the Minibems solution to deliver high-performance telemetry and flow control in residential heat networks.

It is connected to the Minibems Cloud which supports remote diagnostics, flow control optimisation, metering and billing and broad estate management functionality. It provides a user interface for residents to view their usage, set schedules and see information about their heating system.

Minibems Touch allows engineers the ability to maintain and control home heating systems. It must be paired with the Minibems Connect or Minibems Room to add control and monitoring of a range of devices and systems.

Features

Residential heating programmer

Credit or prepayment billing unit

Internal room sensor

Flush wall mounts into 2 gang pattress box

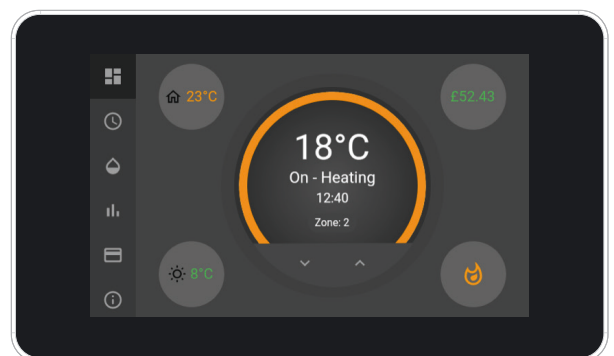
Surface wall mounts using back box

Real-time clock

100 BaseT Ethernet

Hardware and software security

Remote firmware update



**For more information, please visit www.minibems.com
sales@minibems.com / 01202 122 520**

minibems touch specifications

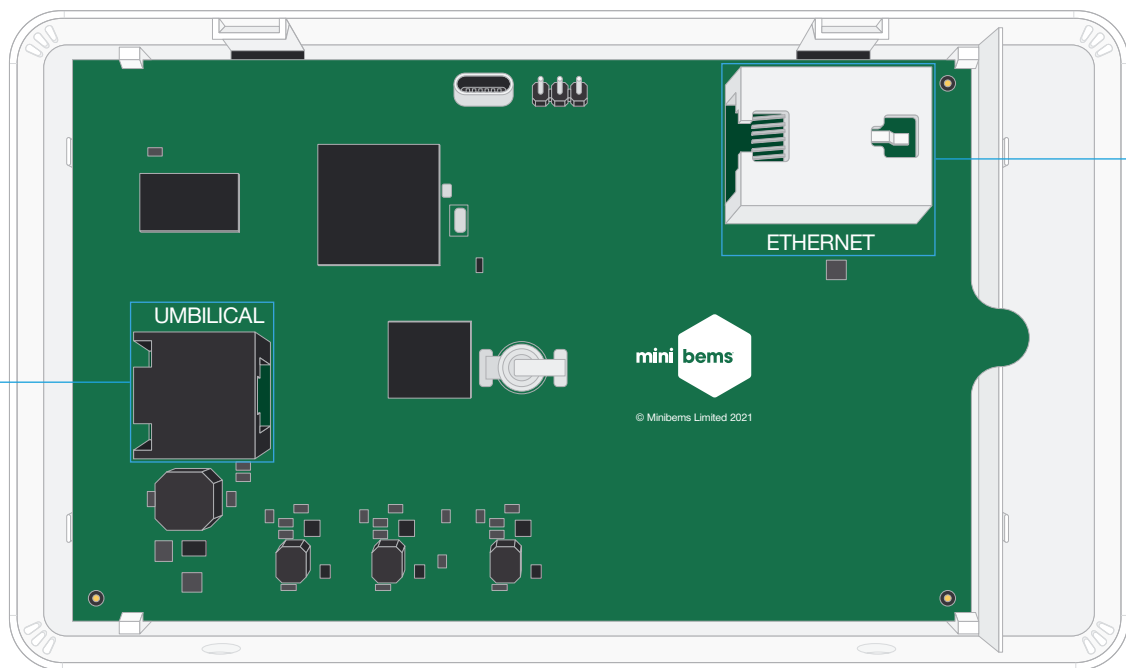


| | |
|-----------------------------|---|
| Supply | 24VDC (via Minibems Connect) |
| Power consumption | 1W (typical) |
| Relay outputs | SPDT 24V DC @ 0.5A max |
| Communications | Ethernet (100BaseT, full duplex) |
| Enclosure | Plastic |
| Approvals | CE & UKCA marks |
| Dimensions | 148mm x 87mm x 32mm (can be recessed) (w x h x d) |
| Operating environment | 0 - 60°C |
| Touchscreen | 5 inch diagonal touchscreen, 800 x 480 pixels, integrated room temperature sensor |
| M-Bus interface | Up to 8 unit load |
| Designed operating lifetime | 15 years |
| Security | SHA256, AES256, Elliptic Curve cryptography |

minibems touch terminals

Umbilical connection - RJ45

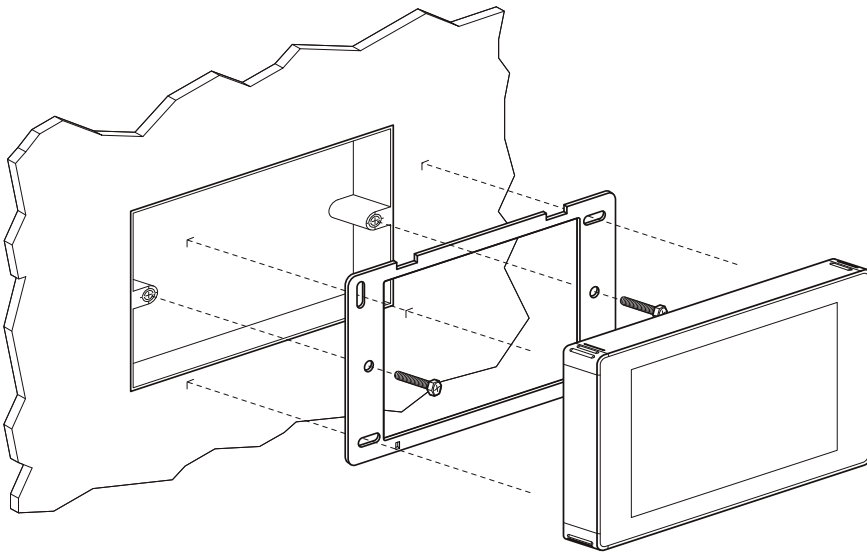
Network connection - RJ45



minibems touch mounting

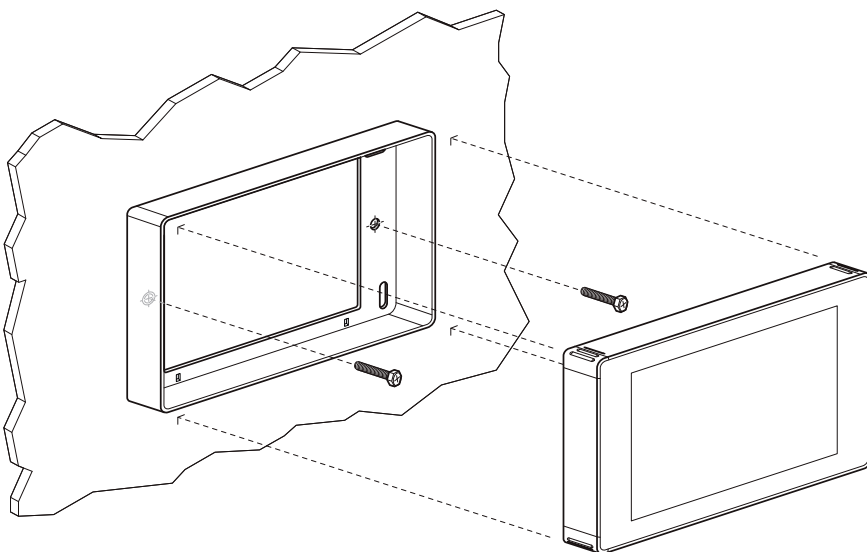
Recessed mounting

Mounting uses included mounting plate and double pattress box (2 gang pattress box), dry lining box or metal clad back box. Please note - 16mm clearance behind Minibems touch is required. (Pattress box not included)



Surface mounting

Mounting directly onto the wall using the back mounting box.



For more information, please visit www.minibems.com
sales@minibems.com / 01202 122 520